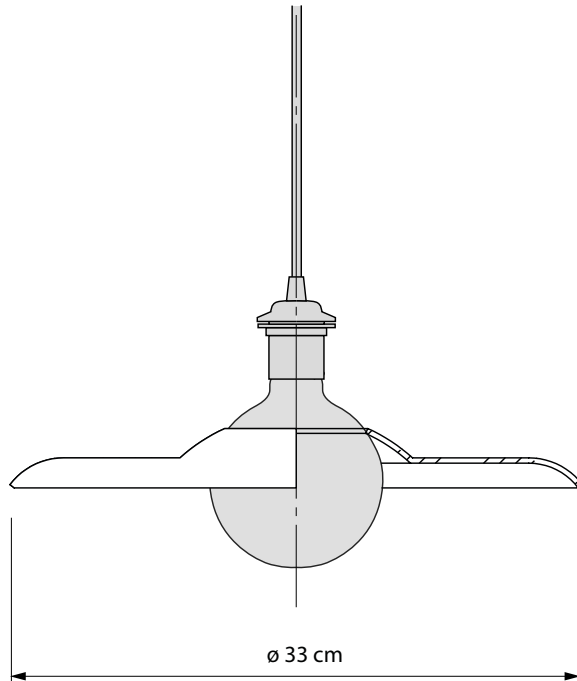


UMAGE Shade felt

#2107

Designed by Soren Ravn Christensen in Copenhagen, Denmark



Shade felt + Tripod base + Idea 3W 125 mm

Shade felt + Cordset + Idea 3W 125 mm



Floor and pendant in one



Unbreakable



Dimensions

$\varnothing 32$ cm
h 33 cm



Material

PET felt



Weight incl. packaging

0,48 kg



Light source

E27 / E26 - max 15 W LED
Bulb recommendation: #4034



Packaging

Gift Box, Dimensions (W×H×D): 36 x 36 x 4 cm



Assembly time

15 min - video guide at umage.com



Media Kit

Photos, 3D models, 2D drawings
Download at umage.com



Ordering Information

Shade felt

#2107

Accessories

Cord set white (pendant)	#4005
Cord set black (pendant)	#4006
Cannonball white (pendant)	#4031
Cannonball black (pendant)	#4032
Rosette white	#4144
Rosette black	#4145
Tripod floor white	#4015
Tripod floor black	#4016
Tripod table white	#4021
Tripod table black	#4022
Tripod base white	#4053
Tripod base black	#4054
Champagne floor white	#4035
Champagne floor black	#4036
Idea 3W 125 mm LED bulb	#4034



Download the UIMAGE Unfold at Home App

It helps you choose the perfect lamp

UNFOLD
AT HOME



Colour variations



Felt



UMAGE
Kongens Nytorv 15
DK-1050 Copenhagen K
Denmark

+45 31 39 31 31 (tel)
+45 31 73 32 29 (fax)
info@umage.com
www.umage.com

The specifications and dimensions are subject to change without notice
Document date: 23-05-2018